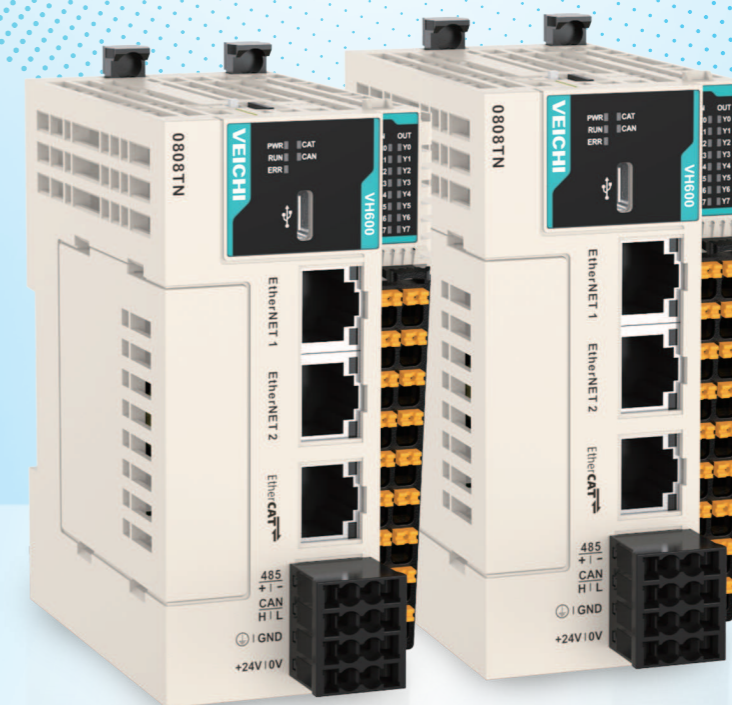


VH600 Series General-purpose Medium PLC



VEICHI

Suzhou Veichi Electric Co., Ltd

No.1000 Songjia Road, Guoxiang street, Wuzhong Economic and Technological Development Zone, Suzhou

Tel: +86-512-6617 1988

Facebook: <https://www.facebook.com/veichigroup>

Whatsapp: +86- 138 2881 8903

<https://www.veichi.com/>



Official Website

*Version: January, 2024

Veichi Electric Co., Ltd all rights reserved, subject to change without notice.

Stock code: 688698

About us



VEICHI Electric (stock code: 688698) has always been dedicated to the field of electrical drive and industrial control since its establishment, and now it is a high-tech enterprise engaged in R&D, production, and sales of industrial automation products in one. With R&D and production bases in Suzhou, Shenzhen and Xi'an, and a wholly-owned subsidiary in India, VEICHI now is capable of conducting its business to many countries and regions with competitive, safe and reliable products and services to customers all over the world.

Plentiful products cover AC drives, servo systems and control systems, which are widely used in heavy industry, light industry, high-end equipment and more to facilitate the intellectualized transformation of the manufacturing industry with solutions customized to different scenarios. In the meanwhile, along the development trend of the times, VEICHI is extending its place to the emerging fields such as robotics, new energy, and medical care, and has developed products such as coreless motors, frameless motors, photovoltaic AC drives, and surgical power systems, which have deeply empowered the impressively promising industries.

On long-term and persistent independent R&D and innovation, VEICHI has successfully cultivated a series of patented technologies with independent intellectual property rights, and has mastered the core technologies of motor control such as vector control of PMSM, high-frequency pulse injection

control, field-weakening control for higher speed, scalar V/F control and vector control etc., and of silicon carbide application, motor parameter tuning and identification, motor control and protection, and motor speed tracking and start-up control. As of June 30, 2023, a total of 163 patents have been granted, including 43 patents for inventions.

VEICHI has been developing step by step over the past 18 years with abundant honorary awards and certificates from the state and competent authorities, including "the Third Batch of Special and Sophisticated 'Small Giant' Enterprises That Produce Novel and Unique Products" "High-tech Enterprises", "Jiangsu Provincial Engineering Technology Research Center", "Jiangsu Provincial Enterprise Technology Center", "Jiangsu Provincial Industrial Internet Development Demonstration Enterprise (Benchmarking Factory Category)" and others.

In the future, VEICHI Electric will continue to uphold the business philosophy of "guided by market demand and driven by technological innovation", strengthen the key core technology research and product iteration, and constantly expand its high-performance, high-quality, high-reliability applications, contributing to the development of electrical drive and industrial control with might and main.

Production Introduction



VH600 is the first medium-sized PLC independently developed by VEICHI. Having accumulated years of experience in the development of industrial control equipment and analyzed the actual situation of a number of sites, VEICHI has been manufacturing reliable industrial controllers specifically for mid- and high-end equipment and factory automation design.

VH600 is integrated with a range of functions and can be used to control multiple devices with ultra-high-speed computing and processing speed to deliver excellent system performance.

Simple Codesys integrated development environment:

For multiple programming languages(LD, FBD, ST, SFC and CFC) in conformity to IEC 61131-3.

Precise motion control:

By EtherCAT bus and pulses
For up to 128 axes (32 recommended)
And 16-axis electronic cam with synchronization cycle of 2ms.



Strong bus network:

For up to 125 EtherCAT slaves (including servo axes)

Supports PLCopen mainstream functions

2005

- Beginning of entrepreneurship in Shenzhen
- First-generation of AC drive successfully launched

2014

- First stage of Suzhou Veichi project groundbreaking and put into construction

2016

- First stage of Suzhou Veichi project put into operation
- First generation of motion control system launched

2013

- Suzhou Veichi Electric Co., Ltd established
- First generation of servo system successfully developed

2019

- Indian subsidiary established
- Restructure to a company limited by shares

2020

- A-share of science and technology innovation board landing
- Awarded as provincial Specialized and Sophisticated "Small Giant" Firms That Produce New and Unique Products

2021

- A Veichi controlled subsidiary established
- Awarded as the third patch of Specialized and Sophisticated "Small Giant" Firms That Produce New and Unique Products

2022

- Xi'an R&D Center established
- Veichi Digital Energy subsidiary established

2023

- Suzhou Veichi Phase II project put into operation
- Suzhou Veichi Phase III Project put into construction
- Veichi Medical Equipment subsidiary established

Product Features

Part 1 Efficiency

Faster command processing:

Quad-core processor for nanosecond speed.
Nearly 3X improvement in overall performance over the previous generation with greater capacity

Part 2 Convenience

Integrated development environment (IDE) for Codesys supports multiple programming languages(LD, FBD, ST, SFC and CFC) in conformity to IEC 61131-3.

Part 3 Communication

Strong bus network:

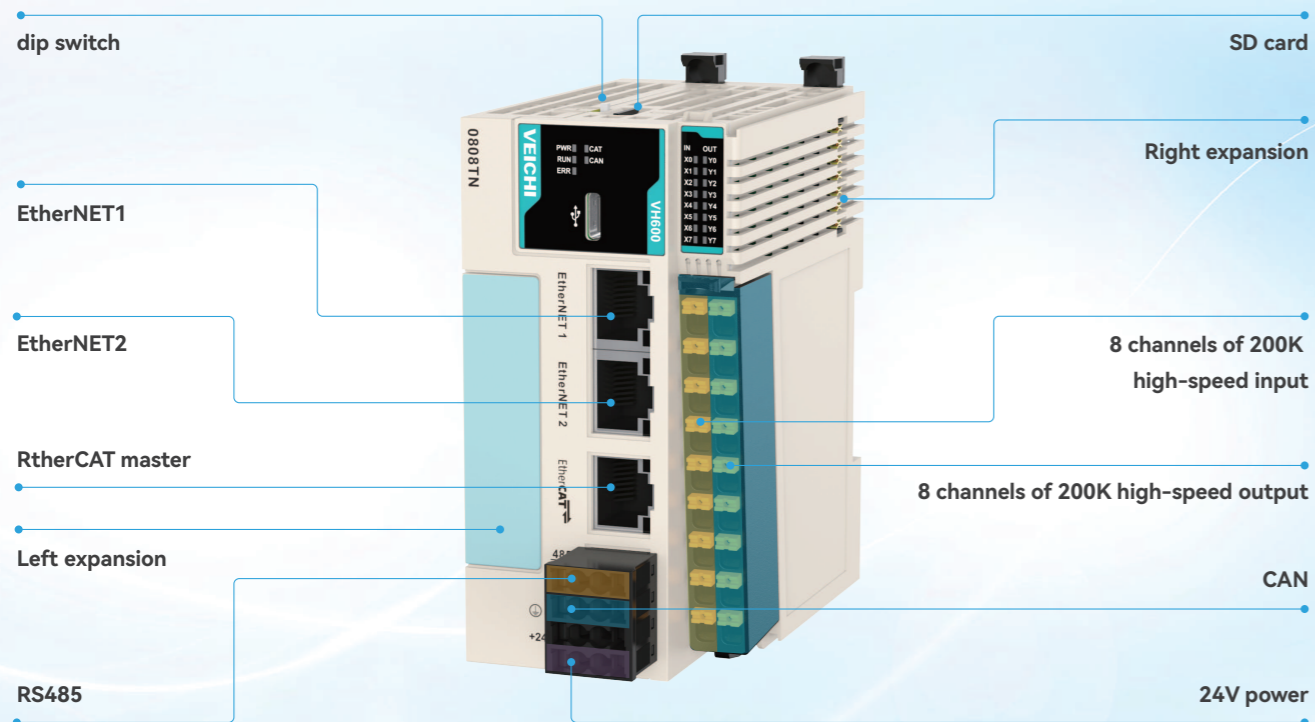
EtherCAT, EtherNet/IP, OPC UA, Modbus TCP, RS485, CAN bus and other global standard industrial networks.
Two channels of EtherNet built-in switches.

Part 4 Control

Bus + Pulse for more flexibility and versatility:

EtherCAT includes both real and virtual axes and supports a maximum of 128 axes (32 axes recommended) and 16-axis electronic cam with synchronization cycle of 2ms.

One-Stop Control

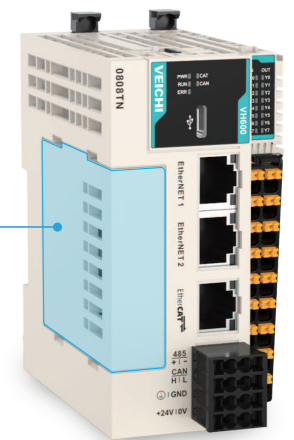


VH600-0808TN Specification

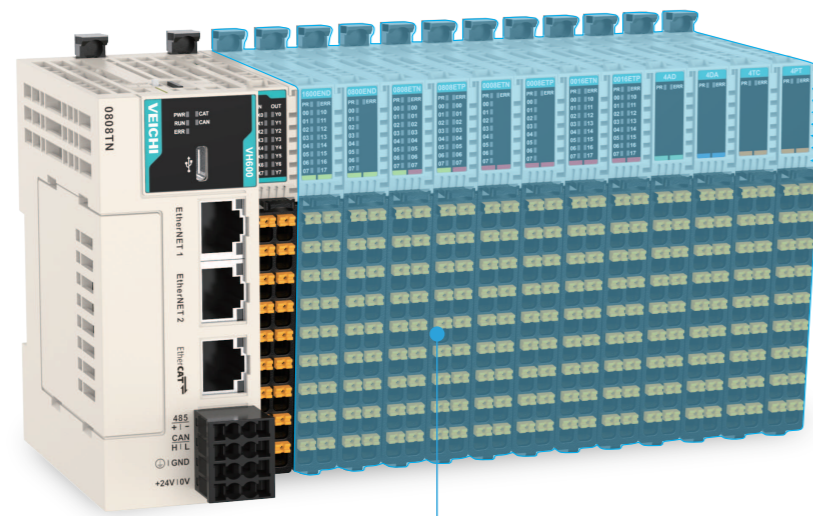
Item	Specification
Rated voltage	DC24V
RS485	1 channel of RS485 serial communication
CAN	CANopen master
EtherNet	2 channel of EtherNet (built-in switch), supports ModbusTCP and program upload/download
EtherCAT	Up to 125 EtherCAT slave(servo axes included)
High-speed input	8 channels at 200K
High-speed output	8 channels at 200K(pulse axis)
Left expansion	Expand 1 channel of RS485
Right expansion	Up to 16 expansion modules
SD card	1 channel up to 32G
Program data capacity	Program memory 10MB, power-down memory 512kb (Flash power-down save), data capacity 20MB
Axis no.	Up to 128 axes (32 axes recommended), up to 125 slaves (including servo axes)
Program language	Program language (LD, FBD, ST, SFC, CFC) in conformity to IEC 61131-3
Motion control	Linear arc interpolation, electronic gear, electronic cam, etc.

Left Expansion

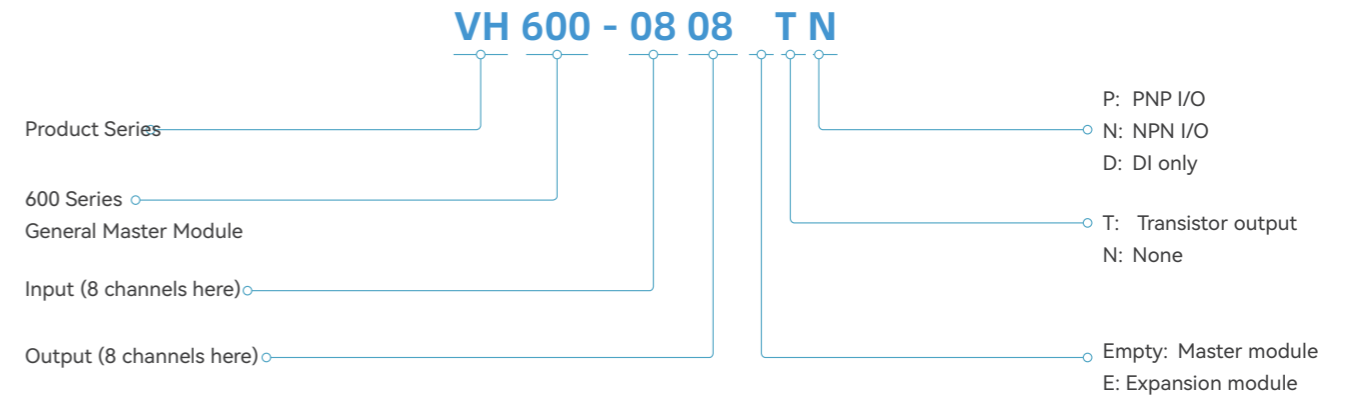
Model	Specification
VH600-RS485	1 channel of RS485
VH600-4DI	4 channels of DI
VH600-4DO (TN)	4 channels of leakage DO
VH600-2AD1DA-I	2 channels of AI, 1 channel of AO, current type.
VH600-2AD1DA-V	2 channels of AI, 1 channel of AO, voltage type.
VH600-RTC	Real-time clock



Right Expansion



Model Description



Manufacturing and Quality Control

Smart manufacturing with whole-process automation

- > On intelligent manufacturing ,the smart factory yields an annual capacity of 914,600 sets;
- > Fully automatic SMT production line, automatic coating line, assembly line, testing line, packaging line, high temperature aging room and advanced production equipment are established;
- > Enterprise production is implemented with target management and is operated in strict accordance with the production process and management methods, which greatly improves the production efficiency.
- > Complete supply chain system meets the large volume of one-time delivery.

Inheriting the spirit of craftsmanship, detail-oriented and striving for better

- > Insist on the quality policy and concept of quality first.
- > Procurement, design, manufacturing and other aspects all implemented in strict accordance with the requirements of the ISO9001 quality management system.
- > Talents create high quality, the production line core positions are occupied by 100% college degrees and above.
- > Each product has a unique product code, which can be used in the product traceability system to ensure quality can be controlled and traced.

Model	Specification
VH-1600END	16 channels of DI
VH-0800END	8 channels of DI
VH-0016ETN	16 channels of NPN DO
VH-0016ETP	16 channels of PNP DO
VH-0808ETN	8 channels of DI, 8 channels of NPN DO
VH-0808ETP	8 channels of DI, 8 channels of PNP DO
VH-0008ETN	8 channels of NPN DO
VH-0008ETP	8 channels of PNP DO
VH-4AD	4 channels of AI
VH-4DA	4 channels of AO
VH-4PT	4 channels of RTD temperature detection module
VH-4TC	4 channels of thermocouple temperature detection module