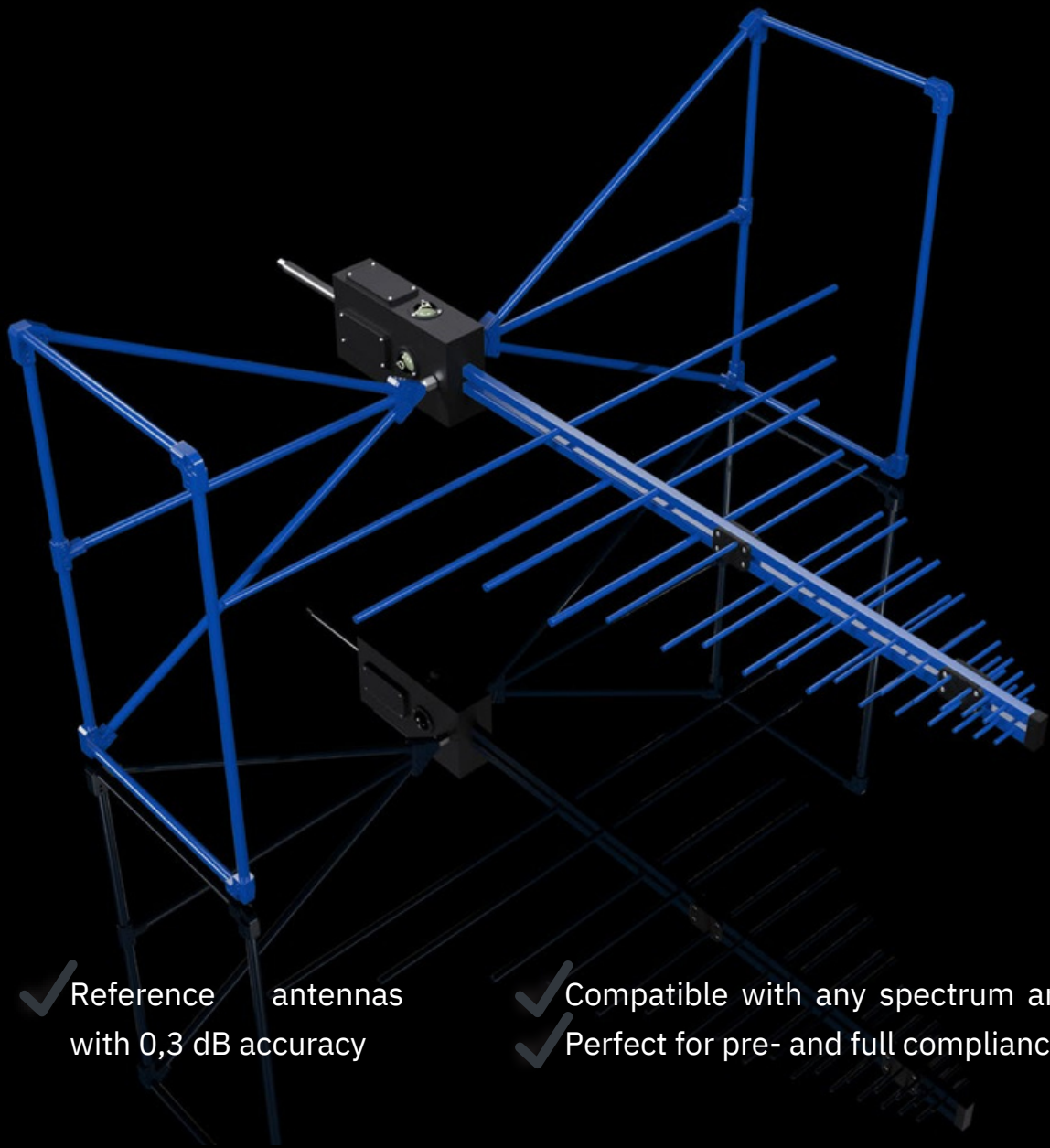


# EMC REFERENCE ANTENNAS

# **HYPERLOG®**

## EMI SERIES

EMC broadband antennas for the entire frequency range from 20 MHz to 6 GHz



✓ Reference antennas  
with 0,3 dB accuracy

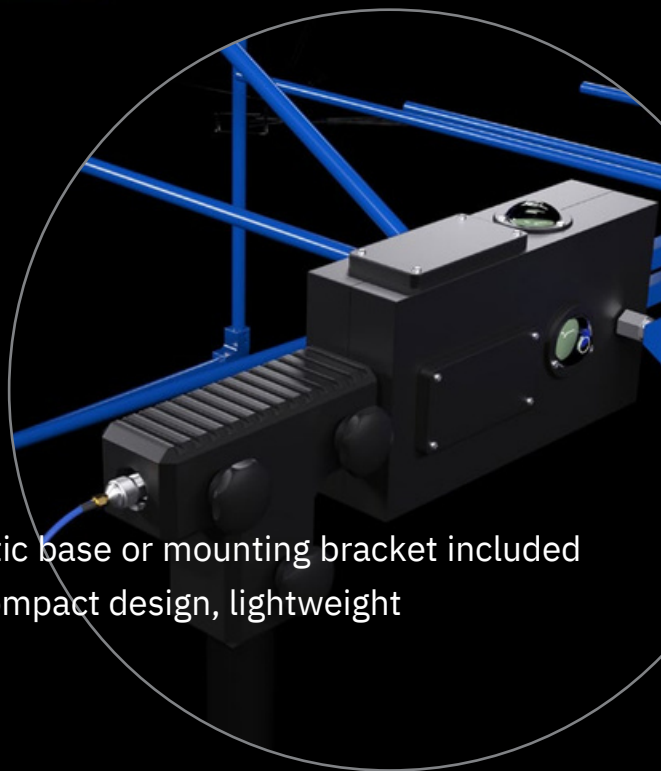
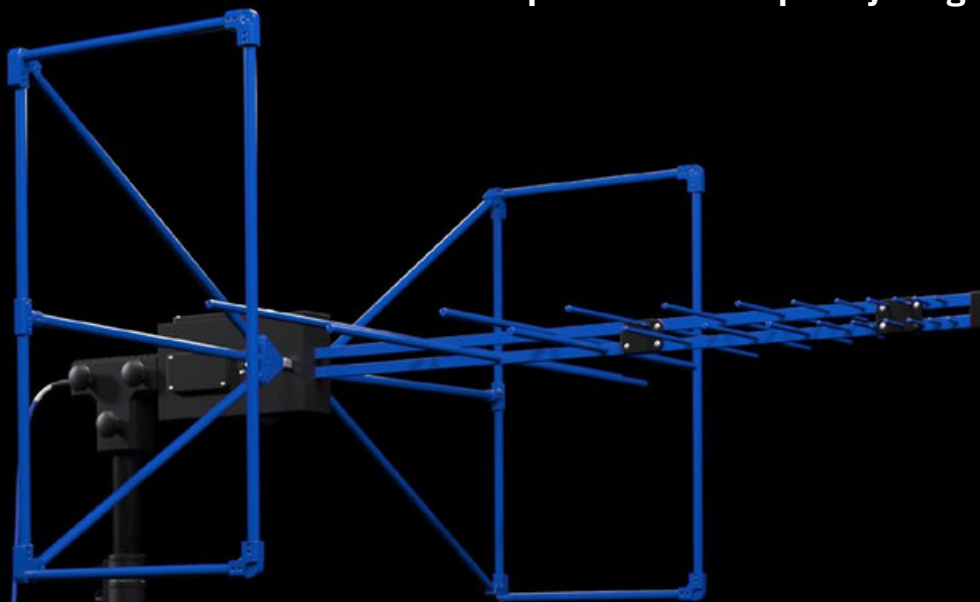
✓ Compatible with any spectrum analyzer

✓ Perfect for pre- and full compliance tests



# Highlights

- ✓ Perfect for EMC / EMI pre- and full compliance tests as well as immunity measuring
  - ✓ Extremely high accuracy of 0,3 dB
  - ✓ Works with any spectrum analyzer, regardless of brand
  - ✓ Specific calibration data included
  - ✓ Max. input power: 310 W AM
  - ✓ Dimensions [L x W x D]: 1300 x 1170 x 595 mm
  - ✓ Weight: 6,5 kg
  - ✓ Made in Germany
- Omni-directional broadband antenna with up to 18 GHz frequency range and high gain**



- ✓ Perfectly usable with spectrum analyzers for omnidirectional measurements
- ✓ Magnetic base or mounting bracket included
- ✓ Very compact design, lightweight

Gewerbegebiet Aaronia AG  
II Dorfstraße 10a  
54597 Strickscheid,  
Germany

Phone: +49 6556 900310  
Fax: +49 6556 900319  
eMail: mail@aaronia.de

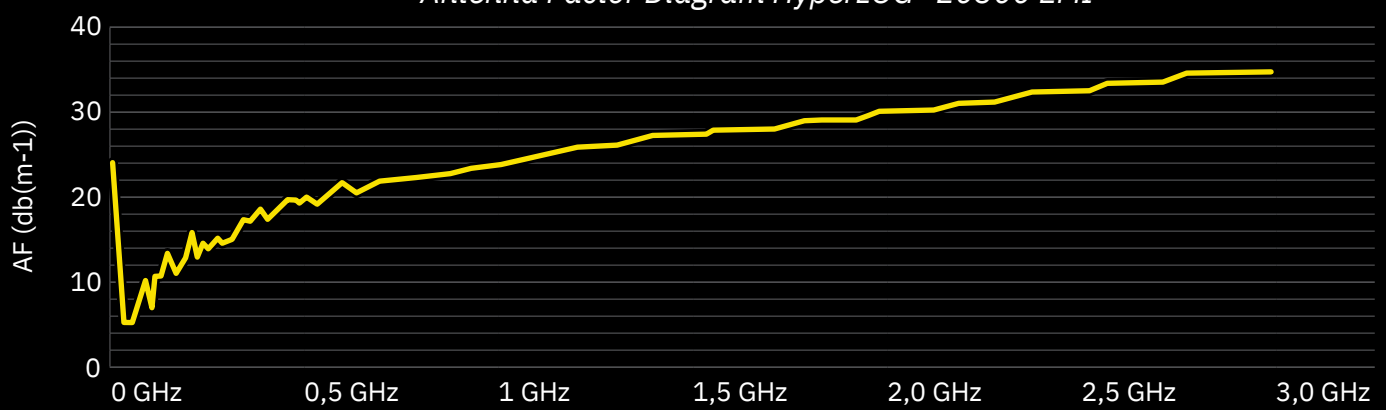
**MADE IN GERMANY**

# Specifications

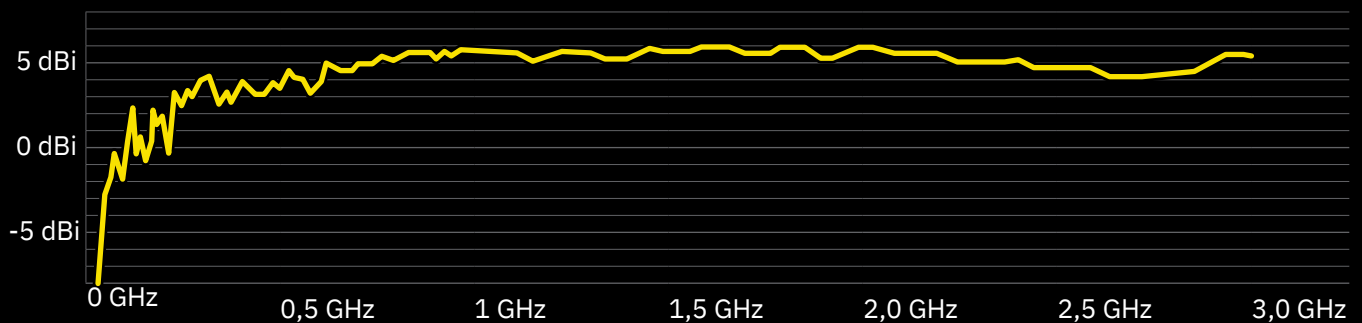
## HyperLOG® 20300 EMI

Dimensions [L x W x D]	1300 x 1170 x 595 mm	Nominal Impedance	50 Ohm
Weight	6,5 kg	Calibration Points	297 (10 MHz steps)
Design	Biconical and log-periodical	VSWR (typ.)	< 2:1
Gain (typ.)	8 dBi	Accuracy	0,3 dB
Frequency Range	20 MHz – 3 GHz	Max. Input Power	310 W AM
RF Output	N female	Warranty	2 years

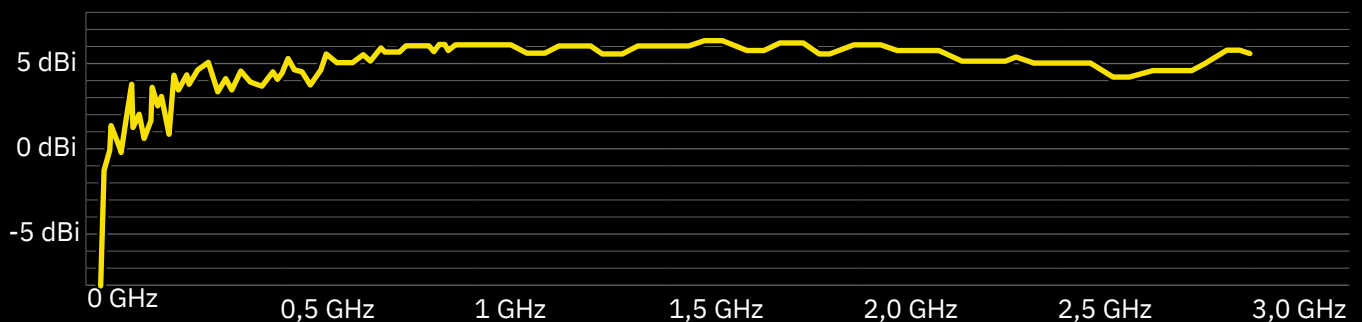
Antenna Factor Diagram HyperLOG® 20300 EMI



Gain Diagram HyperLOG® 20300 EMI (3 m)



Gain Diagram HyperLOG® 20300 EMI (10 m)

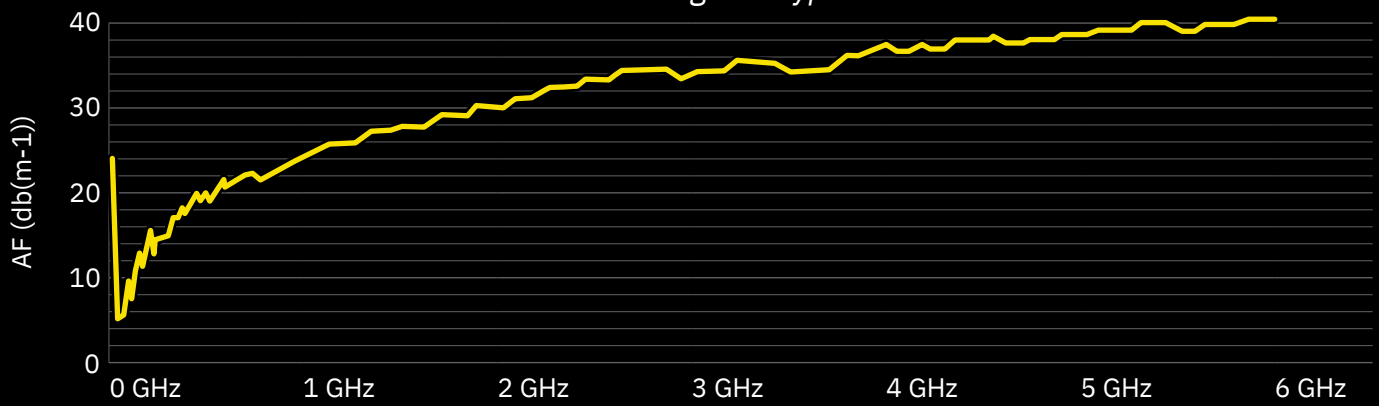


# Specifications

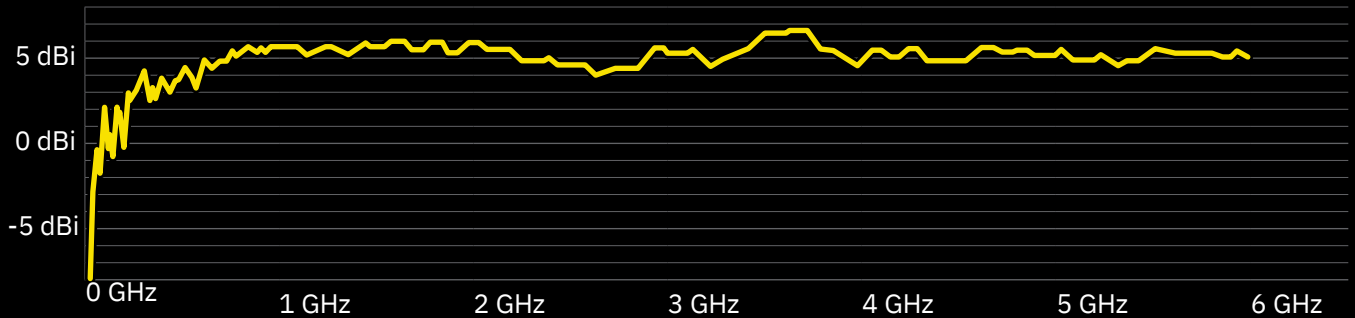
## HyperLOG® 20600 EMI

Dimensions [L x W x D]	1300 x 1170 x 595 mm	Nominal Impedance	50 Ohms
Weight	6,5 kg	Calibration Points	597 (10 MHz steps)
Design	Biconical and log-periodical	VSWR (typ.)	< 2:1
Gain (typ.)	8 dBi	Accuracy	0,3 dB
Frequency Range	20 MHz – 6 GHz	Max. Input Power	310 W AM
RF Output	N female	Warranty	2 years

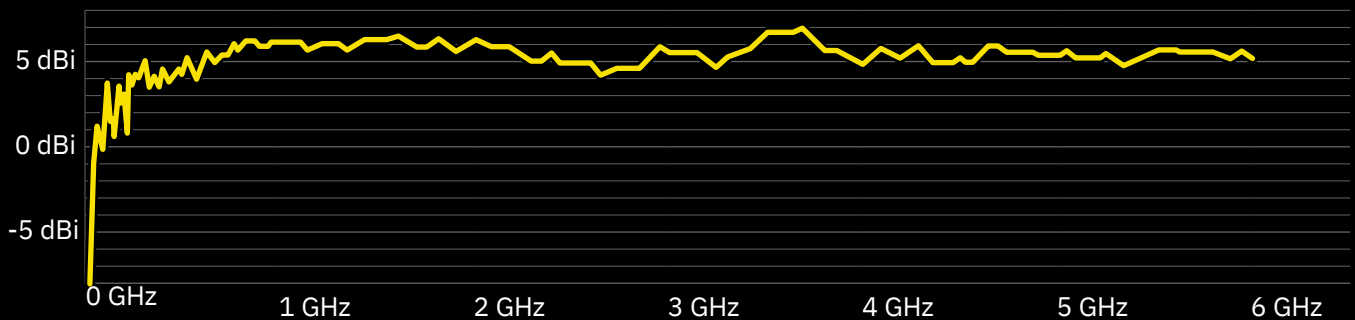
Antenna Factor Diagram HyperLOG® 20300 EMI



Gain Diagram HyperLOG® 20600 EMI (3 m)



Gain Diagram HyperLOG® 20600 EMI (10 m)



# Recommended Accessories

---

## 1 m / 5 m / 10 m SMA-Cable

---

High-quality special SMA cable, connecting test equipment to any HyperLOG® antenna. Customers can choose between three different cables:

- 1 m standard SMA cable (RG316U)
- 5 m low-loss SMA cable (especially low damping)
- 10 m low-loss SMA cable (especially low damping)

All versions: SMA plug (male) / SMA plug (male)

Order/Art.-No.: 501/006 (1 m), 501/008 (5 m), 501/010 (10 m)



## SMA to N Adapter

---

This special high-quality adapter allows for operating all HyperLOG® antennas with any standard spectrum analyzer equipped with an N connector. This adapter can be used with very high frequencies. Measuring just 30 x 20 mm in size, its nominal impedance is 50 Ohm. Layout: SMA socket (female) / N plug (male).

Order/Art.-No.: 502/009

## Ultra Low-Loss N-Cable

---

Armored, highly flexible Ultra-Low-Loss N-Cable, perfect for all RF-applications, even in the worst weather and temperature conditions. Available in lengths of: 1 m | 10 m | 15 m | 20 m

Order/Art.-No.: 501/018 (1 m), 501/019 (5 m), 501/020 (10 m), 501/021 (15 m)



## Heavy Tripod

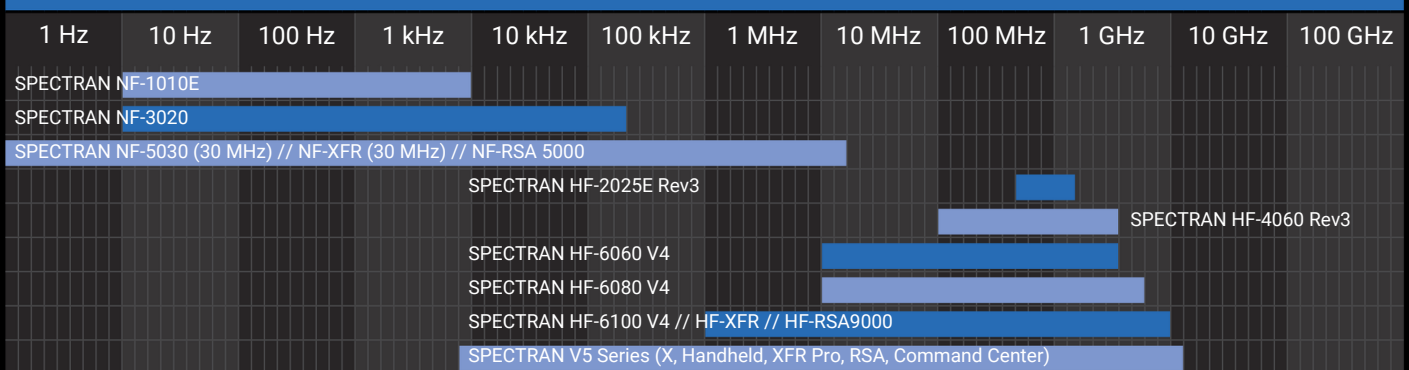
---

Adjustable in height, strong in stability. Highly recommended for use with any HyperLOG® EMI antenna.

Order/Art.-No.: 503/015

# Frequency Overviews

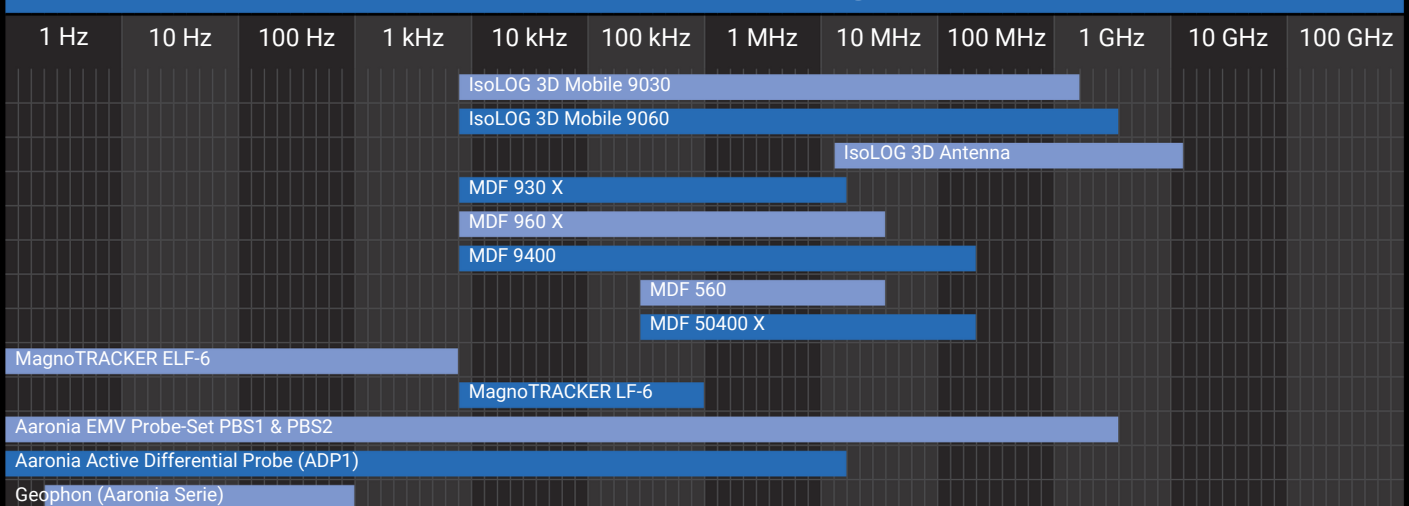
## Frequency Overview SPECTRAN® Spectrum Analyzers



## Frequency Overview HyperLOG®, BicoLOG® and PowerLOG® Antennas



## Frequency Overview IsoLOG® 3D, MDF, MagnoTRACKER® and Probes



# References



## Selected Aaronia Clients

### Government, Military, Aeronautic, Astronautic

- NATO, Belgium
- Department of Defense, USA
- Department of Defense, Australia
- Airbus, Germany
- Boeing, USA
- Bundeswehr, Germany
- NASA, USA
- Lockheed Martin, USA
- Lufthansa, Germany
- DLR, Germany
- Eurocontrol, Belgium
- EADS, Germany
- DEA, USA
- FBI, USA
- BKA, Germany
- Federal Police, Germany
- Ministry of Defense, Netherlands

### Research/Development, Science and Universities

- MIT – Physics Department, USA
- California State University, USA
- Indonesian Institute of Sciences, Indonesia
- Los Alamos National Laboratory, USA
- University of Bahrain, Bahrain
- University of Florida, USA
- University of Victoria, Canada
- University of Newcastle, United Kingdom
- University of Durham, United Kingdom
- University Strasbourg, France
- University of Sydney, Australia
- University of Athens, Greece
- University of Munich, Germany
- Technical University of Hamburg, Germany
- Max Planck Inst. for Radio Astronomy, Germany
- Max Planck Inst. for Nuclear Physics, Germany
- Research Centre Karlsruhe, Germany

### Industry

- IBM, Switzerland
- Intel, Germany
- Shell Oil Company, USA
- ATI, USA
- Microsoft, USA
- Motorola, Brazil
- Audi, Germany
- BMW, Germany
- Daimler, Germany
- Volkswagen, Germany
- BASF, Germany
- Siemens AG, Germany
- Rohde & Schwarz, Germany
- Infi neon, Austria
- Philips, Germany
- Thyssenkrupp, Germany
- EnBW, Germany
- CNN, USA
- Duracell, USA
- German Telekom, Germany
- Bank of Canada, Canada
- NBC News, USA
- Sony, Germany
- Anritsu, Germany
- Hewlett Packard, Germany
- Robert Bosch, Germany
- Mercedes Benz, Austria
- Osram, Germany
- DEKRA, Germany
- AMD, Germany
- Keysight, China
- Infi neon Technologies, Germany
- Philips Semiconductors, Germany
- Hyundai Europe, Germany
- VIAVI, Korea
- Wilkinson Sword, Germany
- IBM Deutschland, Germany
- Nokia Siemens Networks, Germany

